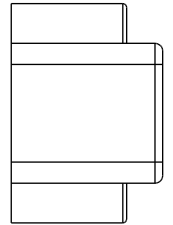
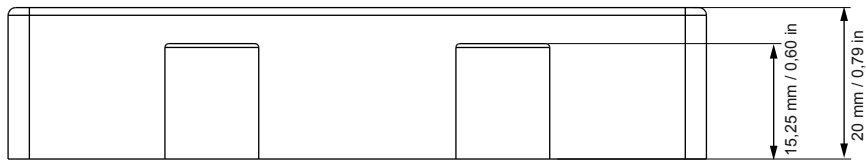
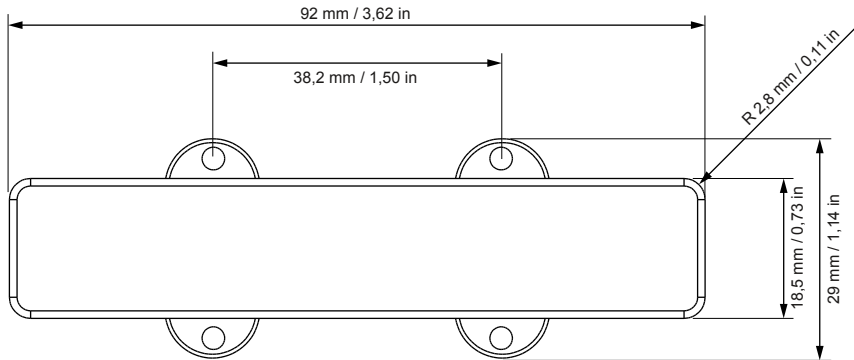
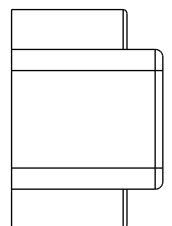
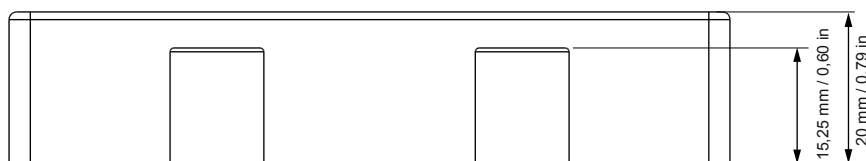
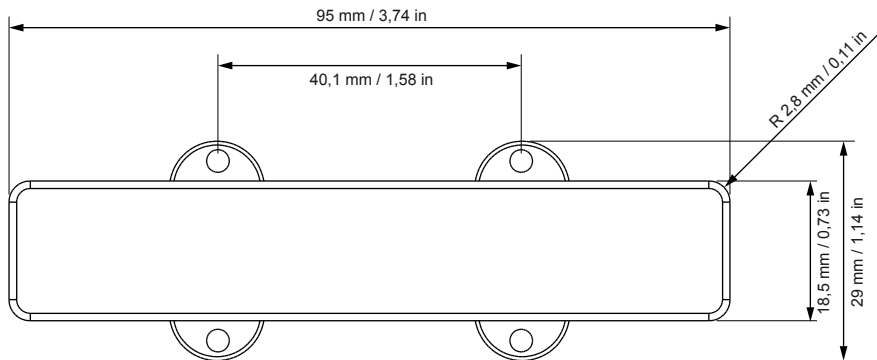


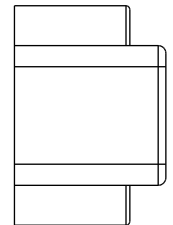
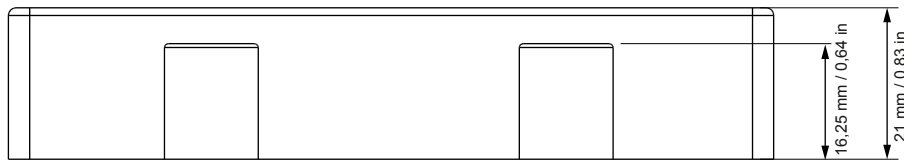
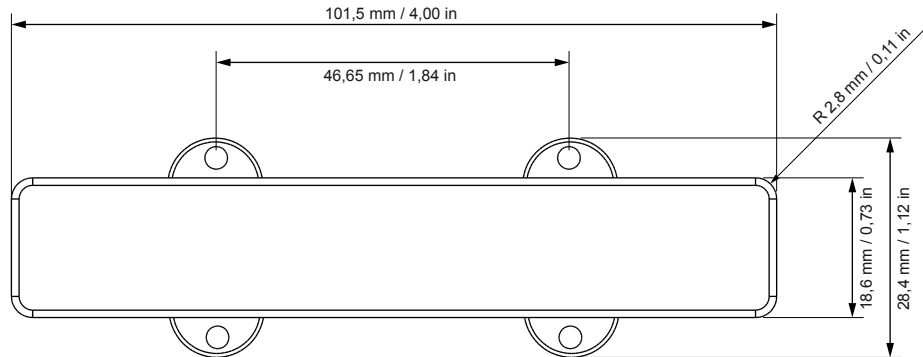
JC-NECK (JC/AS dimensions see page 2)



JC-BRIDGE (JC/AS dimensions see page 2)



JC/AS-NECK (JC dimensions see page 1)



JC/AS-BRIDGE (JC dimensions see page 1)

